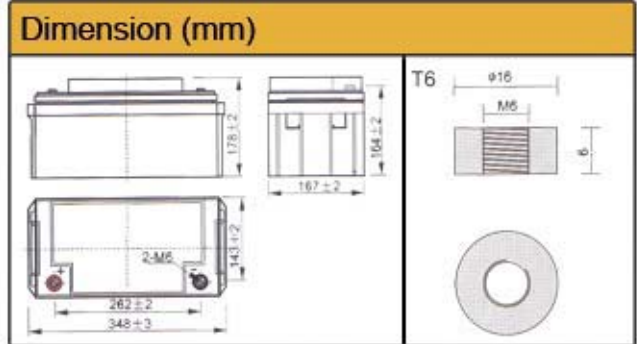




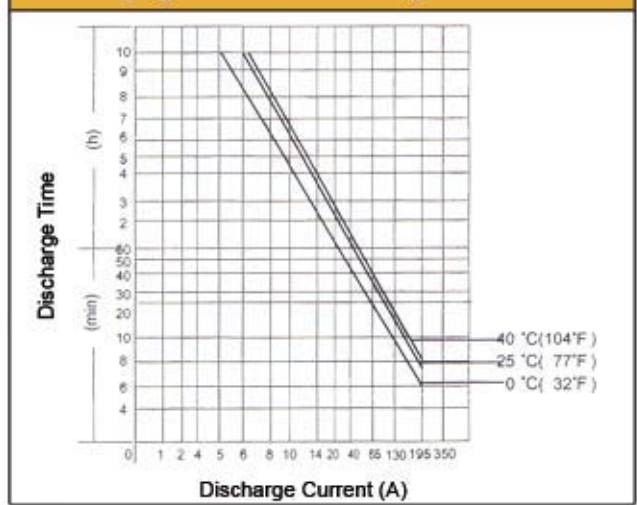
valve regulated
sealed lead acid type
rechargeable battery

+ **⊖** sunbattery®

SB 12-65.0 (12V 65 Ah)

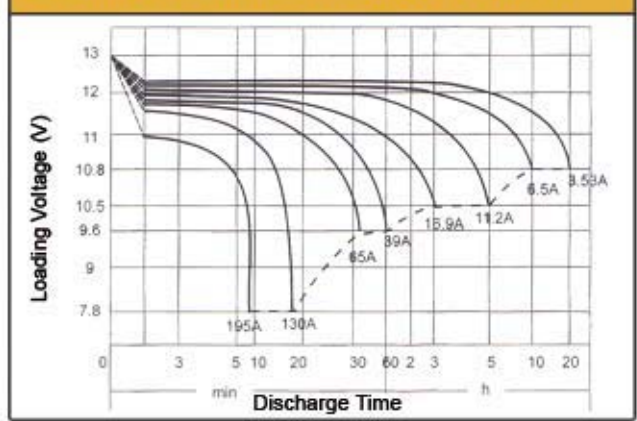


Discharging Current & Discharge Duration Time



Physical Specification		
Nominal Voltage		12V
Nominal Capacity (10HR)		65AH
Dimension	Length	348 ± 3mm (13.70 inches)
	Width	167 ± 2mm (6.57 inches)
	Container Height	178 ± 2mm (7.01 inches)
	Total Height (with Cover)	178 ± 2mm (7.01 inches)
Weight		Approx 21.5kg (47.5lbs)
Standard Terminal		Threaded Insert 6mm STUD

Discharge Characteristics (25° C, 77°F)



Electrical Specification					
Rated Capacity	20 hour rate (3.53A)	70.6AH	Constant-Voltage Charge	Cycle	Initial Charging Current less than 12A. Voltage 14.4 V- 15.0 V at 25°C (77°F) Temp. Coefficient -30mV/°C
	10 hour rate (6.5A)	85AH			
	5 hour rate (11.2A)	58AH			
	3 hour rate (16.9A)	50.7AH			
Capacity affected by Temperature	40°C (104°F)	103%	Standby	No limit on Initial Charging Current Voltage 13.5 V~13.8 V at 25°C (77°F) Temp. Coefficient -20mV/°C	
	25°C (77°F)	100%			
	0°C (32°F)	88%			

Constant Current (Amp) and Constant Power (Watt) Discharge Table (25°C, 77°F)

Time(Minute) Final Voltage	10	15	20	30	45	60	120	180	240	300	360	480	600	1200
	1.3	1.3	1.3	1.6	1.6	1.67	1.7	1.75	1.75	1.75	1.75	1.8	1.8	1.8
A / Batt	162.5	123.5	97.5	74.8	52.0	39.0	22.8	16.9	13.0	11.2	9.9	7.7	6.5	3.53
W / Cell	305.5	234.0	191.1	141.1	103.4	77.2	45.2	33.7	25.9	22.3	19.8	15.5	13.0	7.00