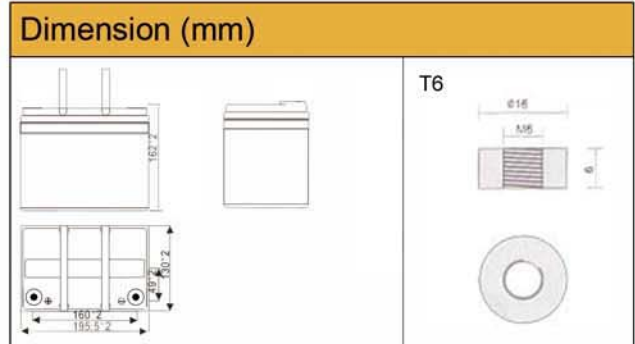




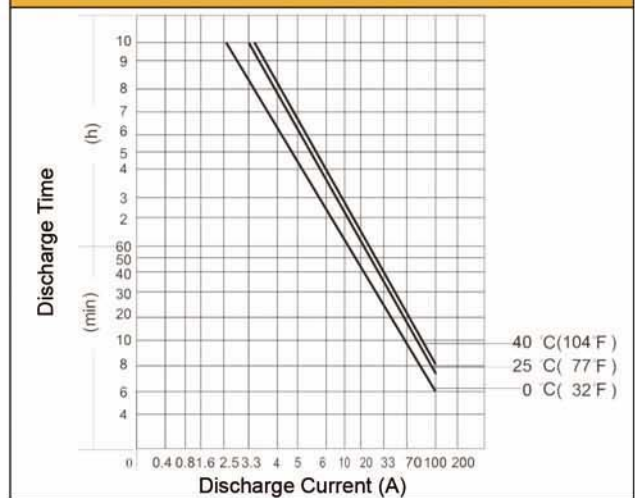
valve regulated
sealed lead acid type
rechargeable battery

sunbattery

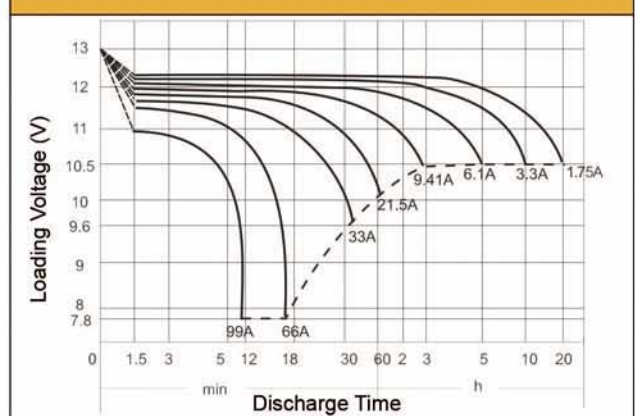
SB 12-33 (12V.35AH)



Discharging Current & Discharge Duration Time



Discharge Characteristics (25° C, 77°F)



Physical Specification		
Nominal Voltage		12V
Nominal Capacity (20HR)		35AH
Dimension	Length	195 ± 2mm (7.68 inches)
	Width	130 ± 2mm (5.12 inches)
	Container Height Total Height (with Terminal)	155 ± 2mm (6.10 inches)
Weight		Approx 11.2kg (24.71lbs)
Standart Terminal		Threaded Insert 6mm STUD

Electrical Specification					
Rated Capacity	20 hour rate (1.75A)	35AH	Constant-Voltage Charge	Cycle	Initial Charging Current less than 9.9A. Voltage 14.4 V- 15.0 V at 25°C (77°F) Temp. Corfficient -30mV/°C
	10 hour rate (3.3A)	33AH			
	5 hour rate (6.1A)	30.5AH			
	1 hour rate (21.45A)	21.45AH			
Capacity affected by Temperature	40°C (104°F)	103%	Standby	No limit on Initial Charging Current Voltage 13.5 V~13.8 V at 25°C (77°F) Temp. Corfficient -20mV/°C	
	25°C (77°F)	100%			
	0°C (32°F)	86%			

Constant Current (Amp) and Constant Power (Watt) Discharge Table (25°C, 77°F)

Amp Watt/Cell	Time(Minute) Final Voltage	5	10	15	20	30	45	60	120	180	300	600	1200
		1.3	1.3	1.3	1.3	1.6	1.6	1.67	1.7	1.75	1.75	1.75	1.8
A / Batt		161.70	99.00	72.00	56.76	41.25	29.70	21.45	12.87	9.41	6.10	3.30	1.75
W / Cell		273.90	188.43	140	11.54	81.51	59.07	42.57	25.74	18.48	12.21	6.60	3.53