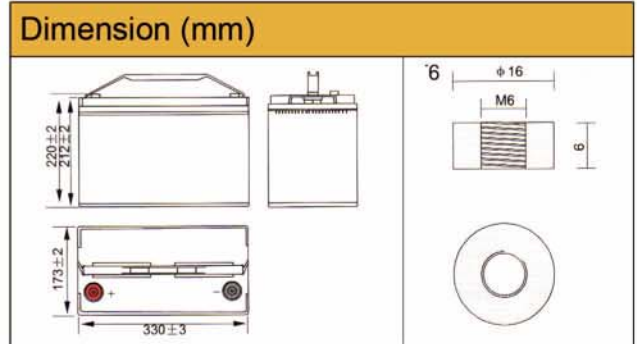




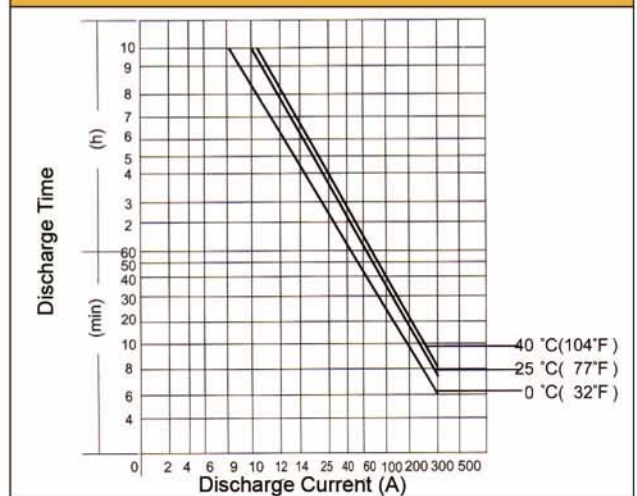
valve regulated  
sealed lead acid type  
rechargeable battery

**+** **⊖** sunbattery®

# SB 12-100 .0 (12V .103AH)



### Discharging Current & Discharge Duration Time



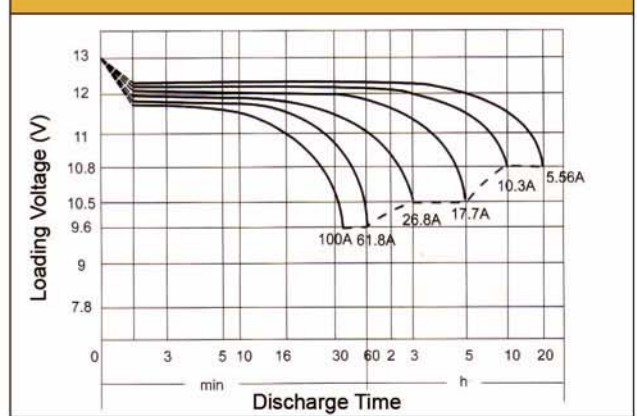
### Physical Specification

Nominal Voltage		12V
Nominal Capacity (10HR)		103AH
Dimension	Length	330 ± 3mm (12.99 inches)
	Width	173 ± 2mm (6.81 inches)
	Container Height	212 ± 2mm (8.35 inches)
	Total Height (with Cover)	220 ± 2mm (8.66 inches)
Weight		Approx 32kg (70.6lbs)
Standart Terminal		Threaded Insert 6mm STUD

### Electrical Specification

Rated Capacity	20 hour rate (5.56A)	111 AH	Constant-Voltage Charge	Cycle	Initial Charging Current less than 30A. Voltage 14.4 V- 15.0 V at 25°C (77°F) Temp. Corfficient -30mV/°C
	10 hour rate (10.3A)	103 AH			
	5 hour rate (17.7A)	88,5AH			
	3 hour rate (26.8A)	80.4AH			
	1 hour rate (61.8A)	61,8AH			
Capacity affected by Temperature	40°C (104°F)	103%	Standby	No limit on Initial Charging Current Voltage 13.5 V~13.8 V at 25°C (77°F) Temp. Corfficient -20mV/°C	
	25°C (77°F)	100%			
	0°C (32°F)	86%			

### Discharge Characteristics (25° C,77°F)



### Constant Current (Amp) and Constant Power (Watt) Discharge Table (25°C,77°F)

Time(Minute)	10	15	20	30	45	60	120	180	240	300	360	480	600	1200
Amp	1.3	1.3	1.3	1.6	1.6	1.67	1.7	1.75	1.75	1.75	1.75	1.8	1.8	1.8
Watt/Cell														
A / Batt	257.5	205.8	154.5	118.5	82.4	61.8	36.1	26.8	20.6	17.7	15.7	12.3	10.3	5.56
W / Cell	484.1	390.0	302.8	223.5	163.8	122.4	71.7	53.4	41.1	35.3	31.3	24.5	20.6	11.2